

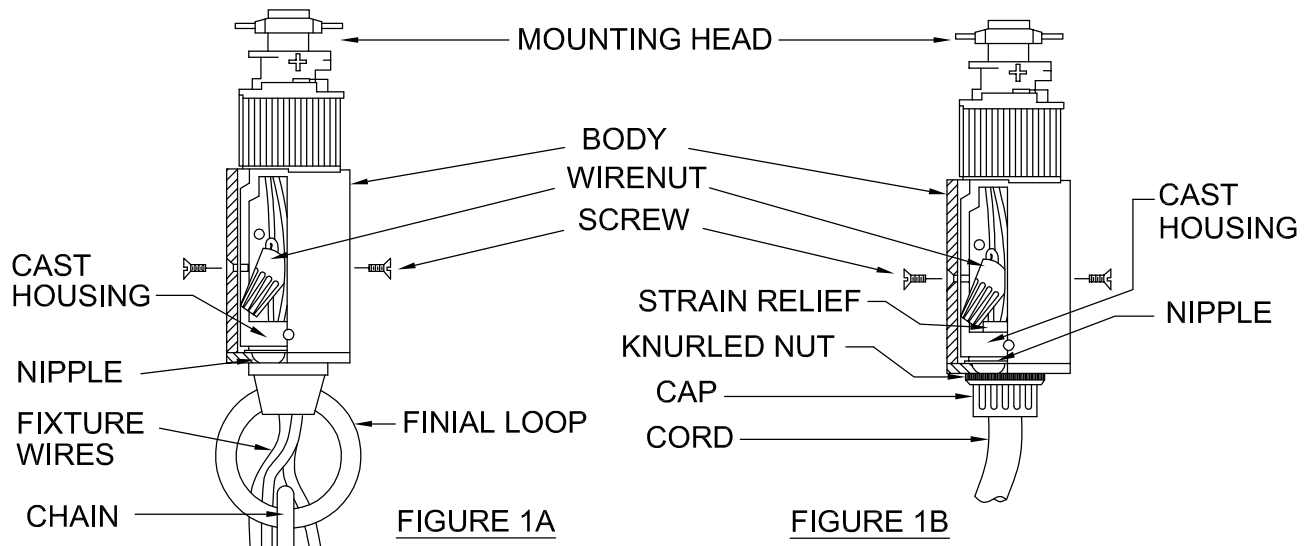
Assembly & Installation Instructions

CAUTION: Read instructions carefully and turn electricity off at main circuit breaker panel before beginning installation.

8727

WARNING - If any Special Control Devices are used with this Fixture, Follow the Instructions Carefully to assure full compliance with N.E.C. requirements. If there are any questions, contact a Qualified Electrical Contractor.

WARNING - This product contains chemicals known to the State of California to cause cancer, birth defects and /or other reproductive harm. Thoroughly wash hands after installing, handling, cleaning, or otherwise touching this product.



FOR USE WITH CHAIN HUNG FIXTURES (FIGURE 1A)

- 1- Thread NIPPLE into LOOP and into CAST HOUSING. TIGHTEN LOOP FIRMLY, BUT BY HAND ONLY.
- 2- Fasten CHAIN of FIXTURE (purchased separately) to LOOP and thread FIXTURE WIRES up CHAIN and into HOUSING.
- 3- Connect FIXTURE GROUND WIRE to GROUND WIRE from HOUSING. Connect WHITE or IDENTIFIED FIXTURE WIRE (with a ridge, stripe or groove on the outside surface) to WHITE SUPPLY wire. Connect PLAIN FIXTURE WIRE to BLACK SUPPLY WIRE. Use U.L. listed WIRENUTS provided to make connections.
- 4- Place two BODY halves over HOUSING and fasten with two FLAT HEAD MACHINE SCREWS.

FOR USE WITH CHAIN HUNG FIXTURES (FIGURE 1B)

- 1- Thread NIPPLE into CAST HOUSING and lock in place with KNURLED NUT and CAP.
- 2- Slip CORD from FIXTURE through NIPPLE and tighten STRAIN RELIEF securely to CORD with pliers (not furnished).
- 3- Connect GROUND WIRE from FIXTURE to GROUND WIRE in HOUSING. Connect WHITE FIXTURE WIRE to WHITE WIRE in HOUSING. Connect BLACK FIXTURE WIRE to BLACK WIRE in HOUSING. Use U.L. listed WIRENUTS provided to make connections.
- 4- Place two BODY halves over HOUSING and fasten with two FLAT HEAD MACHINE SCREWS.

FIXTURE IS NOW READY FOR MOUNTING TO PROGRESS TRAK 1 TRACK

(OVER)

Instrucciones de ensamblaje e instalación

Precaución: Lea cuidadosamente las instrucciones y desconecte la electricidad del cortacircuitos principal antes de iniciar la instalación.

ADVERTENCIA - Si usa algún dispositivo especial de control con este aparato de luz, siga las instrucciones cuidadosamente para asegurar la completa conformidad con los requisitos N.E.C. Si existe alguna duda, contacte un electricista calificado.

ADVERTENCIA - Este producto contiene sustancias químicas que según el Estado de California causa cáncer, defectos de nacimiento y (o) daño al sistema reproductor. Lavarse bien las manos después de instalar, manipular, limpiar o tocar de manera alguna este producto.

Instructions d'Assemblage et Installation

Mise en garde: Lire les instructions avec soin et couper le courant au disjoncteur central avant de commencer l'installation.

AVERTISSEMENT - S'il y a d'autres mécanismes régulateurs qui s'emploient avec ce dispositif, suivre soigneusement les instructions pour satisfaire aux exigences NEC. Si vous avez des questions, consulter un électricien qualifié.

AVERTISSEMENT - Ce produit contient des composants chimiques qui selon L'état de Californie provoquent un cancer, des infirmités de naissance et (ou) du mal au système reproductif. Il faut laver les mains soigneusement après avoir installé, manipulé, nettoyé, ou autrement touché ce produit.

STEP 2: MOUNT FIXTURE TO TRACK (TRACK 1 ONLY)

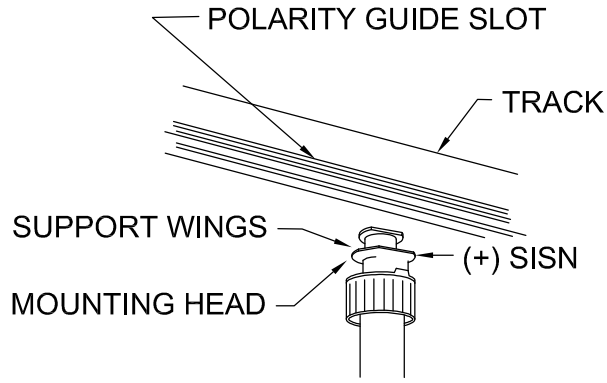


FIGURE 2

- 1- Note that one side of TRACK has a POLARITY GUIDE SLOT. Position MOUNTING HEAD with SUPPORT WIRES parallel to TRACK, with (+) SIGN on same side as SLOT in TRACK. (FIGURE 2)

- 2- Push MOUNTING HEAD firmly up into TRACK, and turn it 90° clockwise. (FIGURE 2)

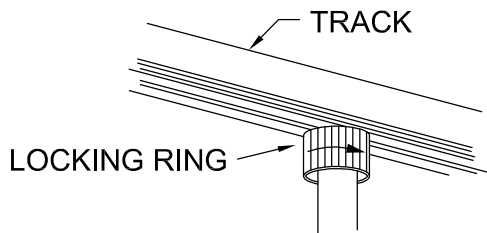


FIGURE 3

- 3- Turn LOCKING RING clockwise, to secure MOUNTING HEAD into TRACK. (FIGURE 3)

NOTE: This FIXTURE can also be mounted to PROGRESS TRAK 3 TRACK by using PROGRESS P8740, TRAK 3 ADAPTOR (purchased separately).