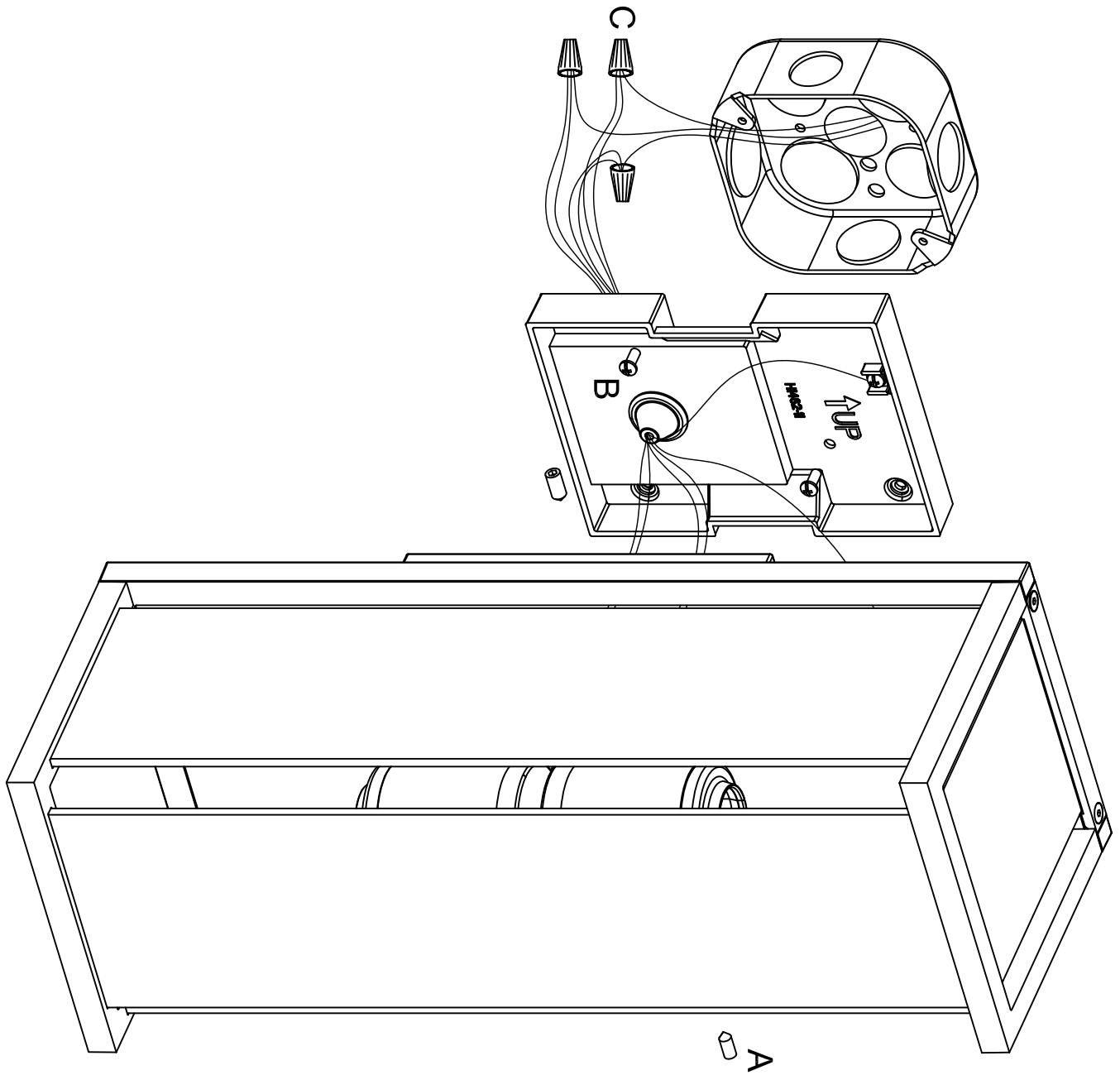







2271BZ



 ×1	 ×1	 ×1	 ×4	 ×4
---	--	---	---	---