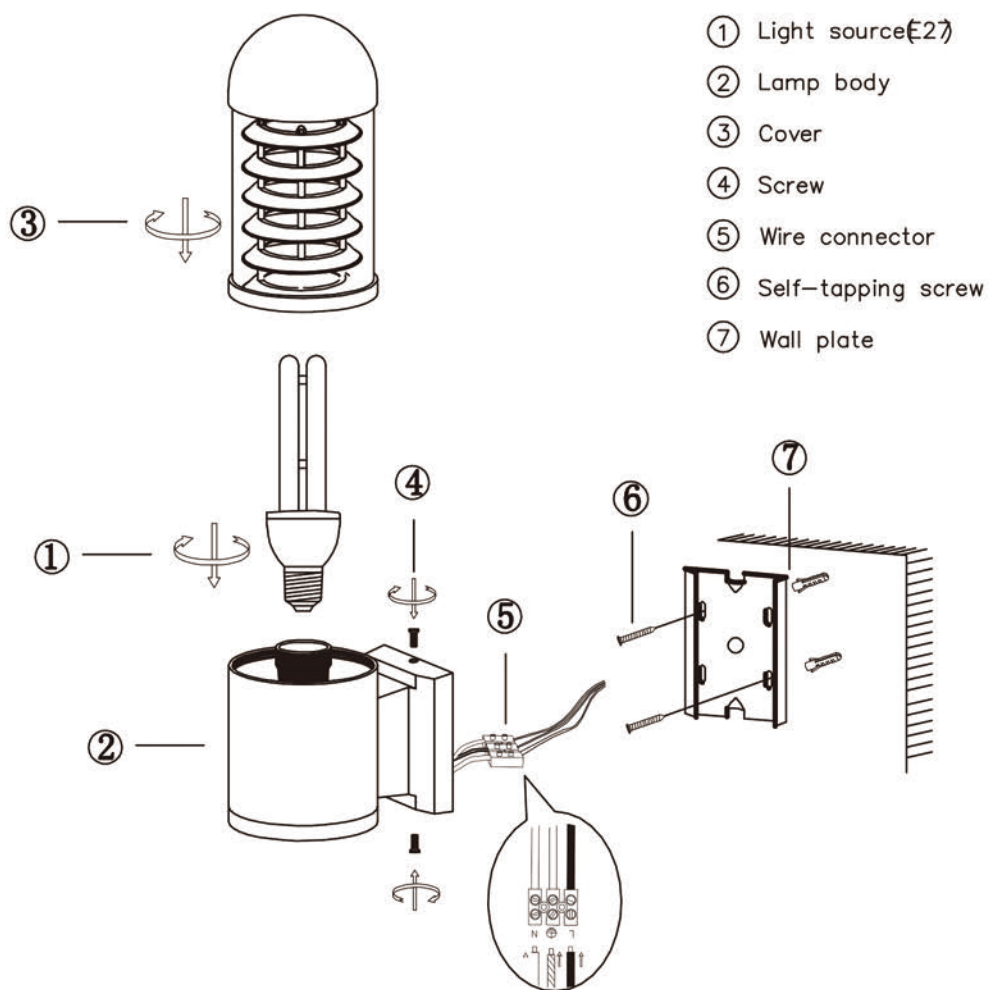


Assembling Instruction

4070 BA



1. Open cover and put lightingsource to the lampholder,then fix cover.
2. Screw wallplate to the wall self-tapping screw.
3. Connect power correctly as wireconnector showing.
4. Fix lamp body to wallplate with screw.