

LED Wall Sconce

WS18224-UNV

INSTALLATION SHEET

START FROM HERE

- Make sure **POWER** is **COMPLETELY OFF** at the fuse box
- Have your fixture installed by a qualified licensed electrician
- Prepare everything in a clear area
- Wear gloves at all time during this installation
- Read instructions carefully before you start assembly
- Keep this installation sheet for future reference

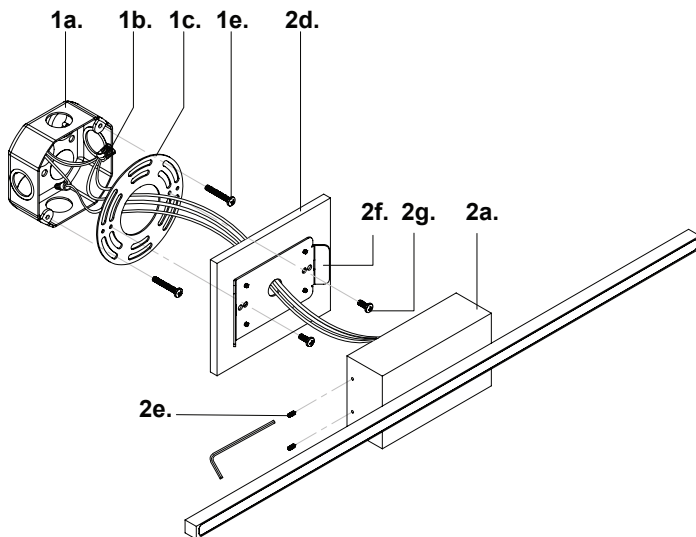
Technical Support: 1-855-855-8926

Please Note:

- This Kuzco LED fixture comes with pre-wired LED module(s)
- Unless instructed, Do Not touch any part of the LED module(s) as any unnecessary contact with the module could cause permanent damage
- Use ELV (Electronic Low Voltage) or TRIAC type of dimmer for dimming application
- 120-277V input

Octagon Junction Box Install

1. Remove the fixture from its original packaging. Next, remove the cover plate (2d) and backplate (2f) assembly from the canopy (2a) by removing the set screws (2e) with allen key.
2. Ensure that the backplate (2f) is secured to the cover plate (2d) using the cover plate screws (2b). See **Illustration 1**.
3. Install universal mounting plate (1c) to the electrical junction box (1a) using the junction box screws (1e).
4. Secure the cover plate (2d) and backplate (2f) assembly to the universal mounting plate (1c) using the mounting screws (2g).
5. Connect all wires correctly: black to black "L", white to white "N" and ground wire to ground using the included wire nuts (1b).
6. Attach the canopy (2a) to the backplate (2f) and secure with set screws (2e) and allen key.



Single Gang Box Install

1. Remove the fixture from its original packaging. Next, remove the cover plate (2d) and backplate (2f) assembly from the canopy (2a) by removing the set screws (2e) with allen key.
2. The cover plate (2d) and the universal mounting plate (1c) are not needed for single gang box installation. Only the backplate (2f) is needed for single gang box installation. See **Illustration 1**.
3. Install the backplate (2f) to the electrical junction box (1a) using the junction box screws (1e).
4. Connect all wires correctly: black to black "L", white to white "N" and ground wire to ground using the included wire nuts (1b).
5. Attach the canopy (2a) to the backplate (2f) and secure with set screws (2e) and allen key.

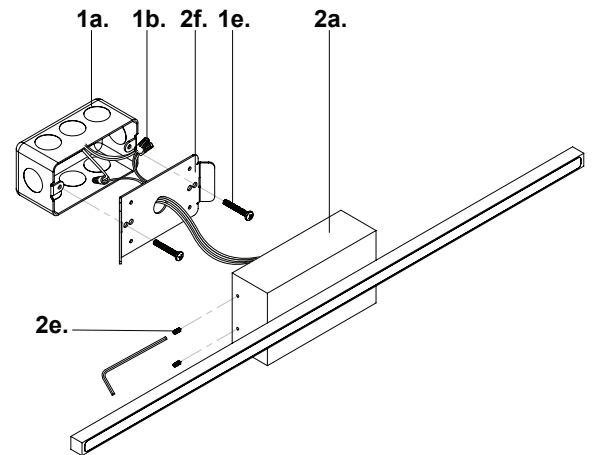
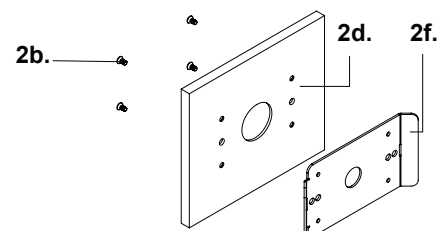


Illustration 1: Cover Plate + Backplate Assembly



*For Single Gang Box Installation, the backplate (2f) can be detached from the cover plate (2d) by removing the cover plate screws (2b).

KUZCO

19054 28th Avenue Surrey, BC Canada V3Z 6M3
T: 604 538 7162 TF: 1-855 85 KUZCO F: 604 538 7196
W: kuzcolighting.com
20240605