

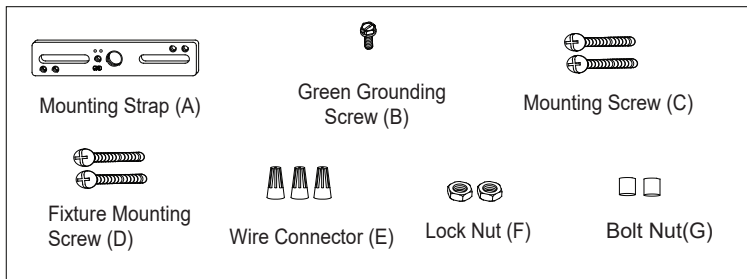
# ASSEMBLY AND INSTALLATION INSTRUCTIONS

H0221

**WARNING:** TO AVOID RISK OF ELECTRICAL SHOCK, BE SURE TO SHUT OFF POWER WHILE INSTALLING OR SERVICING THIS FIXTURE.

**NOTES:** 1. Before installing, consult local electrical codes for wiring and grounding requirements.  
2. READ AND SAVE THIS INSTRUCTION.

## Hardware Package (included):



## Installation Steps

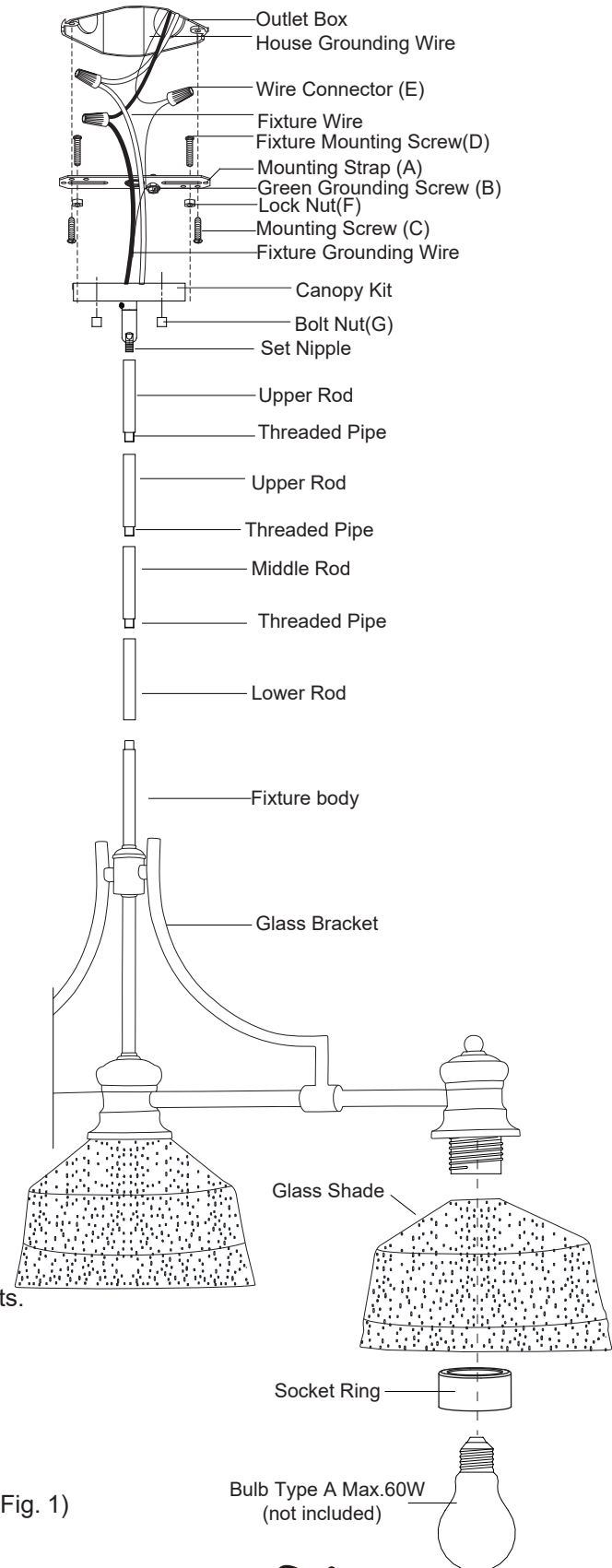
Turn off the power at fuse or circuit box.

- Rod Connections:
  - Thread the fixture wire from the fixture through the lower rod, then secure the lower rod onto fixture using the threaded pipe.
  - Thread the fixture wire through the middle rod, and then secure the middle rod onto the lower rod using the threaded pipe.
  - Thread the fixture wire through the upper rod, and then secure the upper rod onto the middle rod using the threaded pipe.

**Note: Length adjustable from 22" to 64". Use fewer rods if shorter length is desired.**
- Thread the fixture wire through the canopy kit, then secure the rod assembly to the set nipple of the canopy kit.
- Attach the mounting strap to outlet box by using two mounting screws.
- Pull out the source wires from the outlet box. Make wire connections using wire connectors as follows:
  - Connect the smooth-coated wire (marked) from the fixture to the black wire from the power source.
  - Connect the ribbed-coated wire (unmarked) from the fixture white wire to the white wire from the power source.
  - Attach the fixture grounding wire to the mounting strap with the green grounding screw. Then connect it to the house grounding wire with a wire connector.

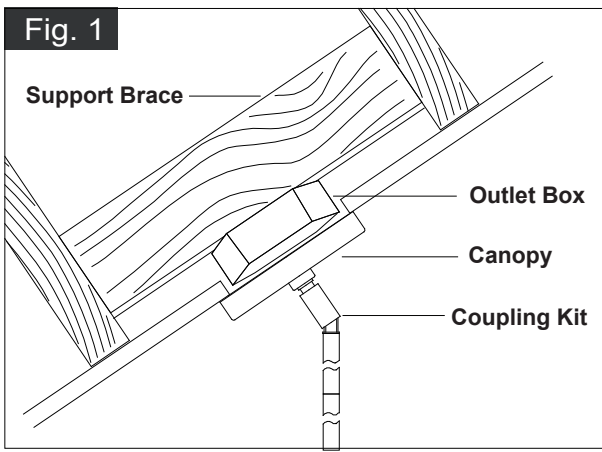
Carefully put the wires back into the outlet box.
- Attach the canopy kit to the mounting strap by inserting the fixture mounting screws, then secure it with two bolt nuts.
- Attach the glass shade onto the fixture, secure it with a socket ring.
- Install bulb (not included). See relamping label at socket area or packaging for maximum allowed wattage.
- Angled mounting recommended for a vaulted or angled ceiling. (See Fig. 1)

Turn on the power at fuse or circuit box.



**VAXCEL**

181206



The following parts are available for re-order if damaged or missing.

**Spare Parts List:**

			→ Mounting Hardware 5981MM (1 SET)
Mounting Strap (A)	Green Grounding Screw (B)	Mounting Screw (C)	
Fixture Mounting Screw (D)	Wire Connector (E)	Lock Nut (F)	Bolt Nut(G)
12"Rod 3159RD (3PC)	6"Rod 3160RD(1PC)	3"Rod 3161RD (1PC)	Glass (3 PCS) 10028CS

