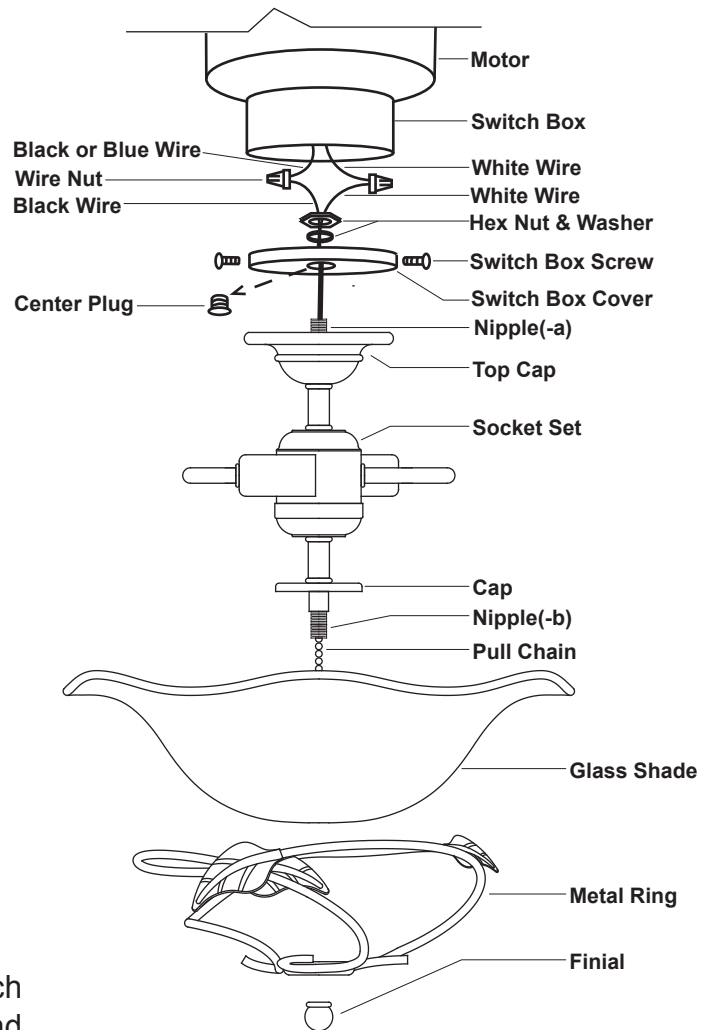


# ASSEMBLY AND INSTALLATION INSTRUCTIONS

LK38812

**WARNING: BE SURE TO SHUT OFF POWER AT THE MAIN FUSE OR CIRCUIT BREAKER BOX BEFORE INSTALLING OR SERVICING THIS FIXTURE.**

**NOTE:** 1. Before installing, consult local electrical codes for wiring and grounding requirements.  
2. The combined weight of your ceiling fan and light kit cannot exceed 35 pounds unless additional support is provided for the fan.



## For Light Kit:

1. Remove the switch box cover from the switch box of the fan by loosening the three switch box screws.
2. Unscrew the center plug from the switch box cover and discard it.
3. Thread the fixture wire through the switch box cover.
4. Attach nipple(-a) of the light kit to the switch box cover, then secure it with a washer and hex nut.
5. Cut the redundant wires if necessary. Pull out the wires from the switch box. Make wire connections using the wire nuts:
  - The black wire from the fixture to the black (or blue) wire from the switch box.
  - The white wire from the fixture to the white wire from the switch box.Carefully tuck the wires back into the switch box.
6. Attach the switch box cover back to the switch box using the three switch box screws.
7. Install bulbs (not included). See relamping label at socket area or packaging for maximum allowed wattage.
8. Thread the pull chain through the glass shade, metal ring and finial. Carefully attach the glass shade and the metal ring to the cap by inserting nipple(-b), then secure them with the finial.
9. Turn on the power at the main fuse or circuit breaker box. (You can control the light with the pull chain.)

## For Ceiling Light: (See Fig.1)

1. Take out a hex nut, washer, grounding pad and canopy from the hardware package for ceiling light.
2. Attach the canopy with the open side facing upward to the top cap by inserting nipple(-a), then secure it with a washer, grounding pad and hex nut.
3. Attach two screws to the mounting strap, then secure them with two lock nuts. Adjust the length of the screws if necessary.
4. Attach the mounting strap to the outlet box by using two mounting screws.
5. Pull out the outlet wires and the house grounding wire from the outlet box. Make wire connections using the wire nuts:
  - The black wire from the fixture to the black wire from the outlet box.
  - The white wire from the fixture to the white wire from the outlet box.
  - Attach the fixture grounding wire to the mounting strap with the green grounding screw. Then connect it to the house grounding wire with a wire nut. Carefully tuck the wires back into the outlet box.
6. Attach the canopy to the mounting strap by inserting two screws, then secure it with the bolt nuts.
7. Follow steps 7~9 as for Light Kit.

