

CM403RA-M

14" LED SURFACE MOUNT
WITH DECORATIVE DOUBLE RING TRIM



Fixture Type
Project
Notes



The LED Surface Mount Downlight with Decorative Double Ring series is designed for residential and commercial applications. Its design features a contemporary double ring steel trimming in Brushed Nickel with only 4-3/4" in depth can easily be installed close-to-ceiling. Its Frosted Polycarbonate Diffuser provides comfortable non-glare lighting with no hot spots and Triac dimming.



120V AC



TRIAC DIMMABLE



120° BEAM



-4° to 104° F

L70
50,000
HOURS

5 YEAR
WARRANTY



ETL Intertek

T24
California TITLE 24
JULY 2019 COMPLIANT

SPECIFICATIONS

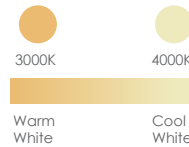
INPUT VOLTAGE	120V AC
WATTAGE	18 W
LUMENS	1200 Lm
EFFICACY	67 Lm/W
CRI	90+
BEAM ANGLE	120°

DIMMING ¹	TRIAC Dimming
ENVIRONMENT	Damp
CERTIFICATIONS	cETLus, T24 Compliant
LUMEN MAINTENANCE	50,000 hours
WARRANTY ²	5 years

¹ Effectively dim down to 10% / See other compatible dimmers on the next page
² See published warranty terms for detailed information

PERFORMANCE

COLOR TEMPERATURE	LUMEN	WATTAGE	EFFICACY	CRI
3000K	1200 Lm	18 W	67 Lm/W	90+
4000K	1200 Lm	18 W	67 Lm/W	90+



ORDERING INFO



MODEL CM403RA	-	SIZE M M - 14"	-	CCT / CRI 3090 - 3000K / 90CRI 4090 - 4000K / 90CRI	-	TRIM FINISH BN BN - Brushed Nickel
-------------------------	---	-----------------------------	---	--	---	---

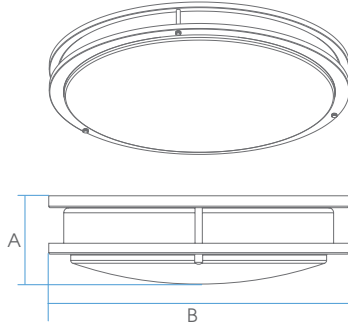
CM403RA-M

14" LED SURFACE MOUNT
WITH DECORATIVE DOUBLE RING TRIM



Fixture Type
Project
Notes

DIMENSIONAL DRAWINGS

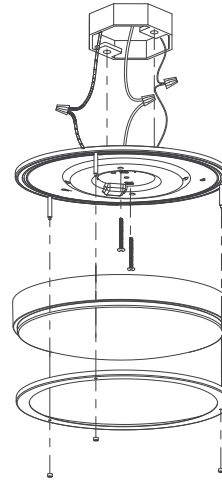


DIMENSIONS

A	4-3/4"	120 mm
B	14-3/4"	375 mm

INSTALLATION

J-BOX



Each Box includes:

- 14" Disk Light
- 2 J-box Screws
- 3 Wire Nuts

COMPATIBLE DIMMERS

LEVITON	6681, 6672
LUTRON	PD-6WCL, DVCL-153P, CTCL-153P, MACL-153M, TGCL-153P