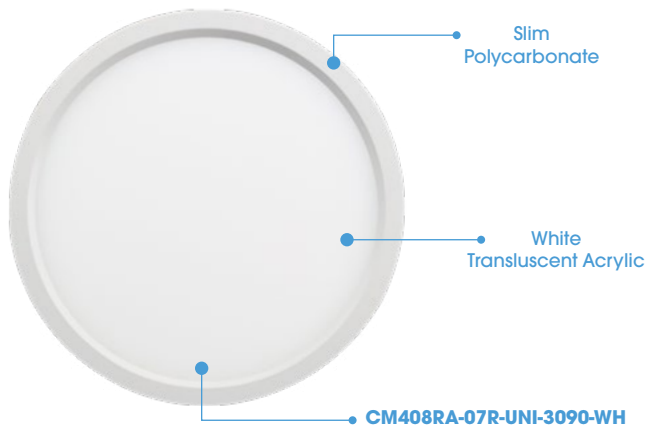


CM408RA-07R-UNI

7" UNIVERSAL VOLTAGE LED SURFACE MOUNT
SURFACE MOUNT WITH SLIM TRIM



Fixture Type
Project
Notes



The Universal Voltage LED Surface Mount with Slim Polycarbonate Trim series is designed for residential and commercial applications. With ultra Low profile design measures a depth of only 5/8" and ADA Compliant for Wall Mounting can easily install within a standard junction box or housing. The White translucent acrylic provides comfortable non-glare lighting with no hot spots and instant on.



SPECIFICATIONS

INPUT VOLTAGE	120-277V AC
WATTAGE	15 W
LUMENS	900 Lm
EFFICACY	60 Lm/W
CRI	90+
BEAM ANGLE	120°

DIMMING¹	0 - 10V Dimming
ENVIRONMENT	Indoor - Dry & Wet
CERTIFICATIONS	cETLus, T24 Compliant
LUMEN MAINTENANCE	50,000 hours
WARRANTY²	5 years

¹ Effectively dim down to 10% / See other compatible dimmers on the next page
² See published warranty terms for detailed information

PERFORMANCE

COLOR TEMPERATURE	LUMEN	WATTAGE	EFFICACY	CRI
3000K	900 Lm	15 W	60 Lm/W	90+

ORDERING INFO



MODEL
CM408RA-07R-UNI-3090-WH

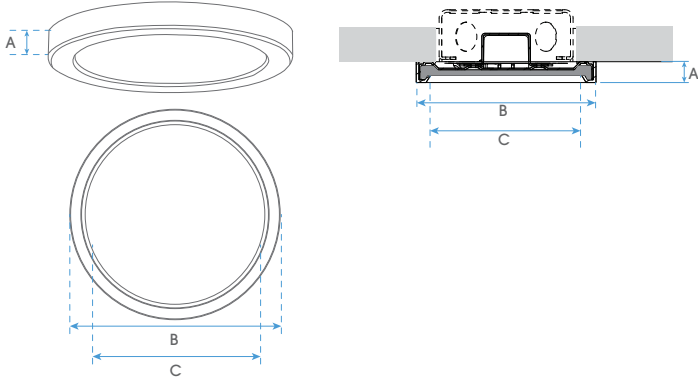
CM408RA-07R-UNI

7" UNIVERSAL VOLTAGE LED SURFACE MOUNT
SURFACE MOUNT WITH SLIM TRIM



Fixture Type
Project
Notes

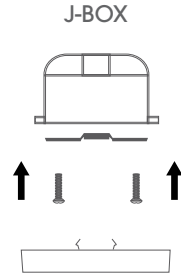
DIMENSIONAL DRAWINGS



DIMENSIONS

A	5/8"	16 mm
B	7-7/8"	201 mm
C	7"	179 mm

INSTALLATION



- Attach mounting bracket to J-box
- Click downlight into mounting bracket

J-box Accessories:

- Mounting bracket
- 2 Screws
- 3 Wire Nuts



COMPATIBLE DIMMERS

LEVITON	DS710
LUTRON	DVSTV