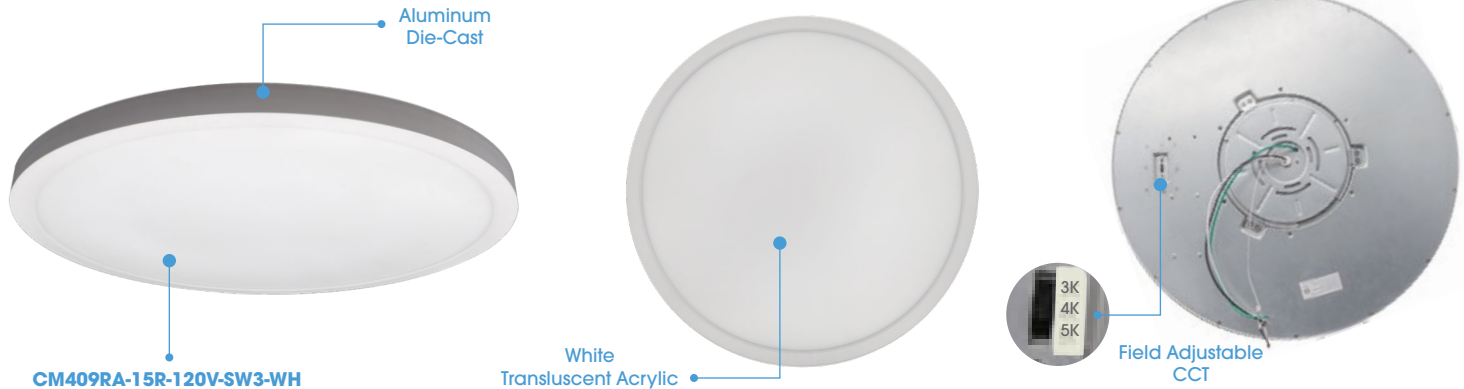


# CM409RA-15R

15" ROUND LED SURFACE MOUNT  
WITH SLIM ALUMINUM DIE-CAST TRIM



Fixture Type
Project
Notes



The LED Surface Mount with Slim Aluminum Die-Cast Trim series is designed for residential and commercial applications. The ultra low profile design measures a close-to-ceiling depth of only 7/8" features a beautiful die cast aluminum trimming in white finish. The white translucent acrylic provides comfortable non-glare lighting with no hot spots and instant on. It is ADA Compliant for Wall Mounting and can easily be installed within a standard junction box. With a 3-Level field-selectable Color Temperature can be Triac dimmable.



## SPECIFICATIONS

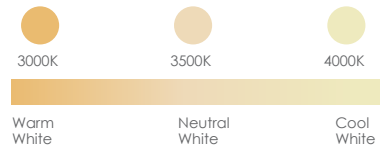
<b>INPUT VOLTAGE</b>	120V AC
<b>WATTAGE</b>	30 W
<b>LUMENS</b>	2000 Lm
<b>EFFICACY</b>	67 Lm/W
<b>CRI</b>	90+
<b>BEAM ANGLE</b>	120°

<b>DIMMING<sup>1</sup></b>	Triac Dimming
<b>ENVIRONMENT</b>	Indoor - Dry & Wet
<b>CERTIFICATIONS</b>	cETLus, T24 Compliant
<b>LUMEN MAINTENANCE</b>	50,000 hours
<b>WARRANTY<sup>2</sup></b>	5 years

<sup>1</sup> Effectively dim down to 10% / See other compatible dimmers on the next page  
<sup>2</sup> See published warranty terms for detailed information

## PERFORMANCE

COLOR TEMPERATURE <sup>3</sup>	LUMEN <sup>4</sup>	WATTAGE	EFFICACY	CRI
SW3 (30/40/50K) <sup>5</sup>	2000 Lm	30 W	67 Lm/W	90+



<sup>3&4</sup> CCT within +/-10%  
<sup>5</sup> Switchable CCT

## ORDERING INFO



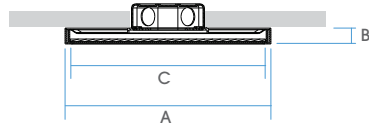
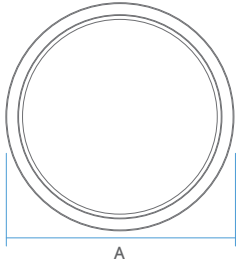
# CM409RA-15R

15" ROUND LED SURFACE MOUNT  
WITH SLIM ALUMINUM DIE-CAST TRIM



Fixture Type
Project
Notes

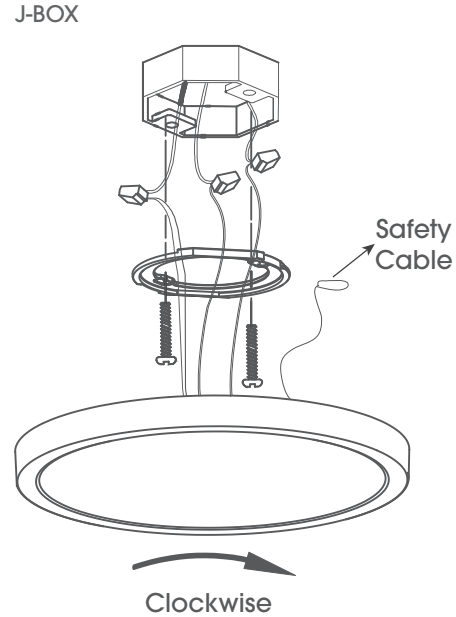
## DIMENSIONAL DRAWINGS



### DIMENSIONS

<b>A</b>	15"	381 mm
<b>B</b>	1"	25 mm
<b>C</b>	13-1/2"	343 mm

## INSTALLATION



## COMPATIBLE DIMMERS

<b>LEVITON</b>	6681, 6672
<b>LUTRON</b>	PD-6WCL, DVCL-153P, CTCL-153P, MACL-153M, TGCL-153P