

ASSEMBLY INSTRUCTIONS

Melange Small Pendant

Item # KW 5618

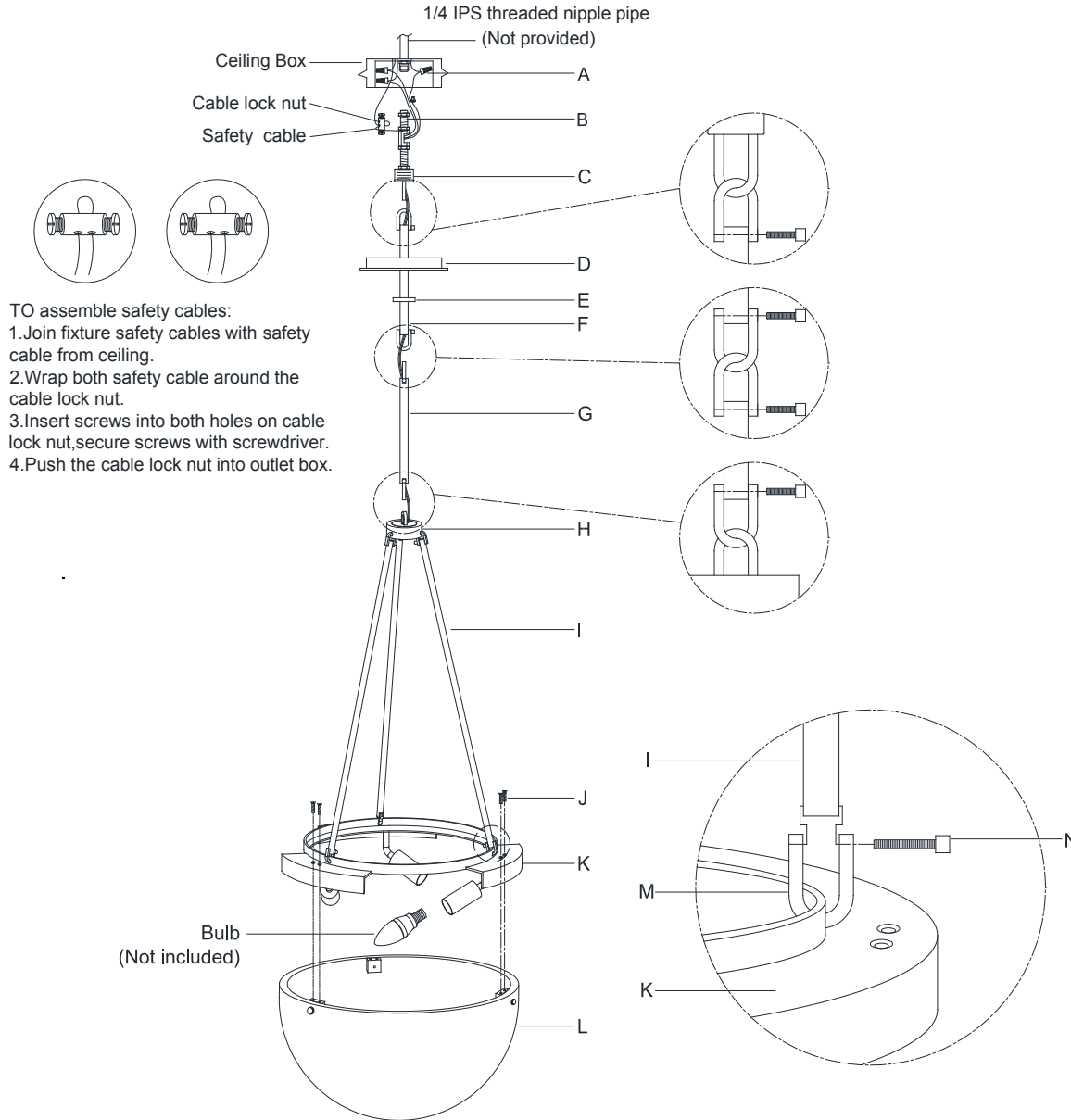
WE RECOMMEND INSTALLATION OF THIS LIGHTING FIXTURE BE DONE BY A LICENSED ELECTRICIAN.

WARNING*SWITCH OFF THE MAIN ELECTRICAL SUPPLY FROM THE MAIN FUSE BOX/CIRCUIT BREAKER BEFORE INSTALLATION.**

INSPECT ITEM CAREFULLY BEFORE ATTEMPTING TO INSTALL. IF THERE IS ANY DAMAGE OR OBVIOUS DEFECT. DO NOT INSTALL.

ITEM MAY NOT BE RETURNED ONCE IT HAS BEEN INSTALLED.

NOTE: CAREFULLY UNPACK EACH PIECE IN TOP LAYER OF PACKING PRIOR TO REMOVING. RETAIN ALL PACKING MATERIAL UNTIL INSPECTION AND INSTALLATION ARE FINAL.



TO assemble safety cables:

1. Join fixture safety cables with safety cable from ceiling.
2. Wrap both safety cable around the cable lock nut.
3. Insert screws into both holes on cable lock nut, secure screws with screwdriver.
4. Push the cable lock nut into outlet box.

1. Carefully remove all parts from the box.
2. Provide a 1/4" IPS pipe with one end securely mounted to a beam or a structural member. The other end should protrude through the center of the outlet box as shown.
3. Install the threaded nipple (B) into the support pipe and adjust overall length to allow the canopy ring to hold the canopy flush to the ceiling.
4. Loosen the screws (N) from the hooks (M) on the metal ring (K), then attach one end of the rods (I) to the hooks (M) and secure with screws (N).
5. Loosen the screws (N) from the hooks (M) on the metal box (H), then attach the other end of the rods (I) to the hooks (M) and secure with screws (N).
6. Remove the hooks (M) from the rod (G) and rod (F) by loosening the screws (N), then let the fixture wire, ground wire and safety cable pass through the rod (G) and (F).
7. Connect the rod (G) and metal box (H) with using hook (M) and screw (N).
8. Connect the rod (F) and rod (G) with using hook (M) and screw (N).
9. Let collar ring (E) and canopy (D) go through the rod (F).
10. Connect the ceiling loop (C) and rod (F) with using hook (M) and screw (N).
11. Connect the fixture Ground (bare) wire with the ground wire from the outlet box using wire nut (A). If your house does not have ground wire, then attach this wire to the green grounding screw inside of the outlet box. IT IS IMPERATIVE THAT THIS FIXTURE BE GROUNDED.
12. Connect the fixture Neutral wire (ribbed) with the neutral wire (White) from the outlet box using wire nut (A).



ASSEMBLY INSTRUCTIONS

Melange Small Pendant

Item # KW 5618

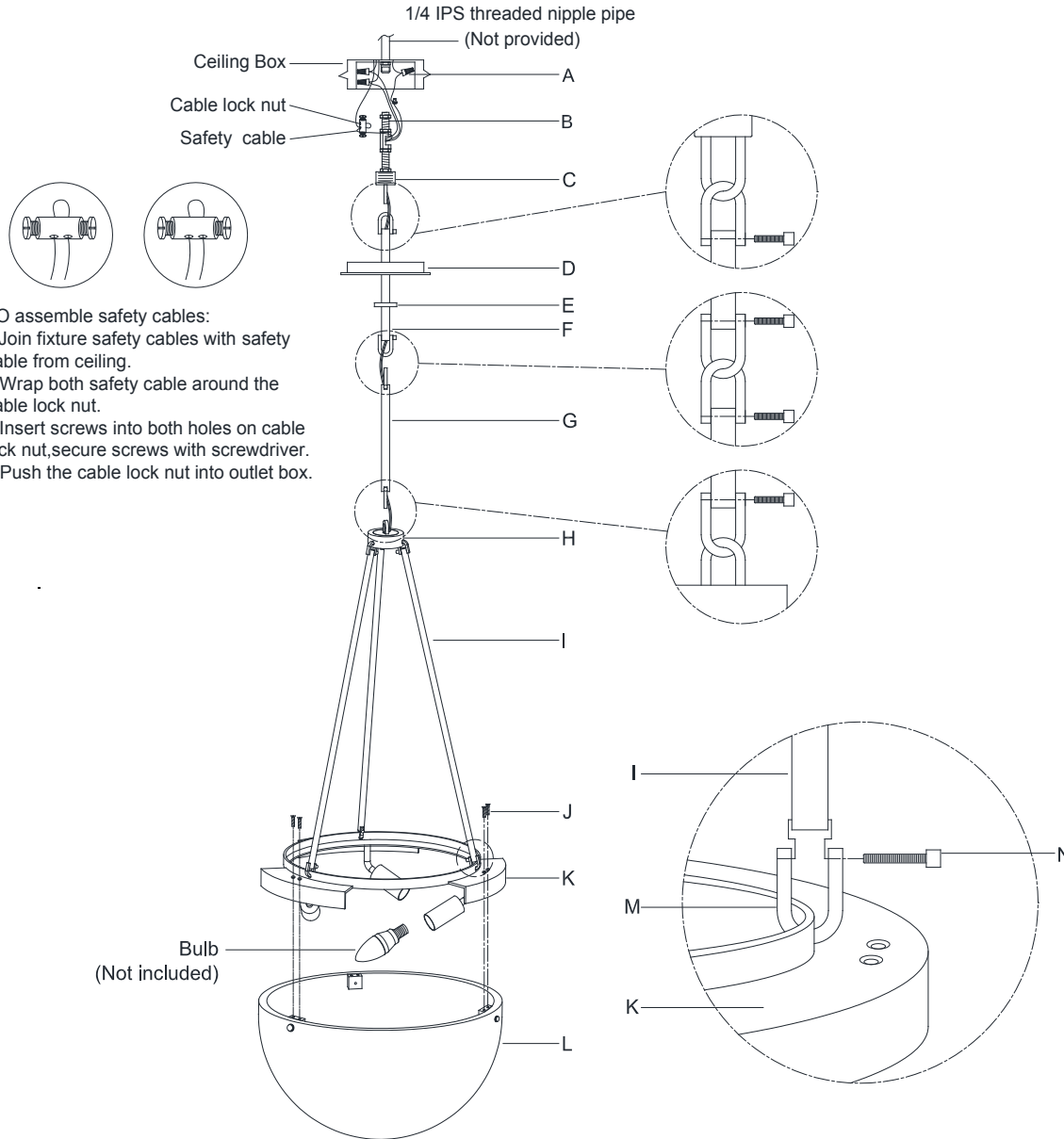
WE RECOMMEND INSTALLATION OF THIS LIGHTING FIXTURE BE DONE BY A LICENSED ELECTRICIAN.

WARNING***SWITCH OFF THE MAIN ELECTRICAL SUPPLY FROM THE MAIN FUSE BOX/CIRCUIT BREAKER BEFORE INSTALLATION.

INSPECT ITEM CAREFULLY BEFORE ATTEMPTING TO INSTALL. IF THERE IS ANY DAMAGE OR OBVIOUS DEFECT. DO NOT INSTALL.

ITEM MAY NOT BE RETURNED ONCE IT HAS BEEN INSTALLED.

NOTE: CAREFULLY UNPACK EACH PIECE IN TOP LAYER OF PACKING PRIOR TO REMOVING. RETAIN ALL PACKING MATERIAL UNTIL INSPECTION AND INSTALLATION ARE FINAL.



TO assemble safety cables:

1. Join fixture safety cables with safety cable from ceiling.
2. Wrap both safety cable around the cable lock nut.
3. Insert screws into both holes on cable lock nut, secure screws with screwdriver.
4. Push the cable lock nut into outlet box.

13. Connect the fixture Hot wire (smooth, marks with words) with the hot wire (Black) from the outlet box using wire nut (A).

DO NOT REVERSE THE HOT AND NEUTRAL CONNECTIONS OR SAFETY WILL BE COMPROMISED.

14. Tuck these wire connections neatly into the outlet box to secure.
15. Attach the canopy (D) to the ceiling and secure with collar ring (E).
16. Insert bulbs (not included) into the sockets.
17. Attach the alabaster shade (L) to the metal ring (K) and secure with screws (J).
18. Installation is complete, turn on power at fuse or circuit breaker.

***Clean with a dry, soft cloth only. Use no harsh abrasives or chemical agents.

