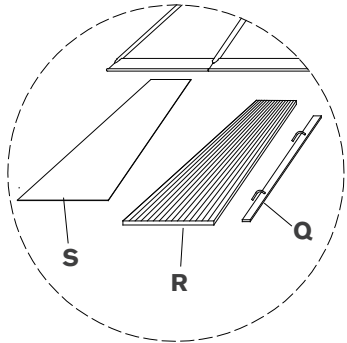




# ASSEMBLY INSTRUCTIONS

## AM & MG Option



## CG Option

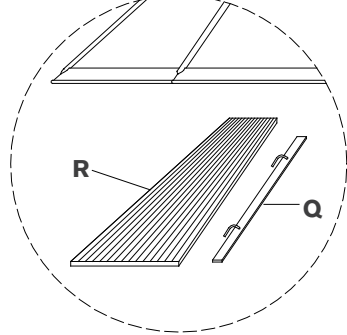


Diagram 1

## WG Option

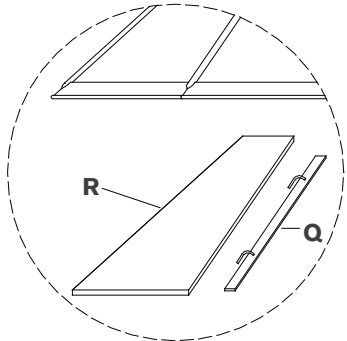
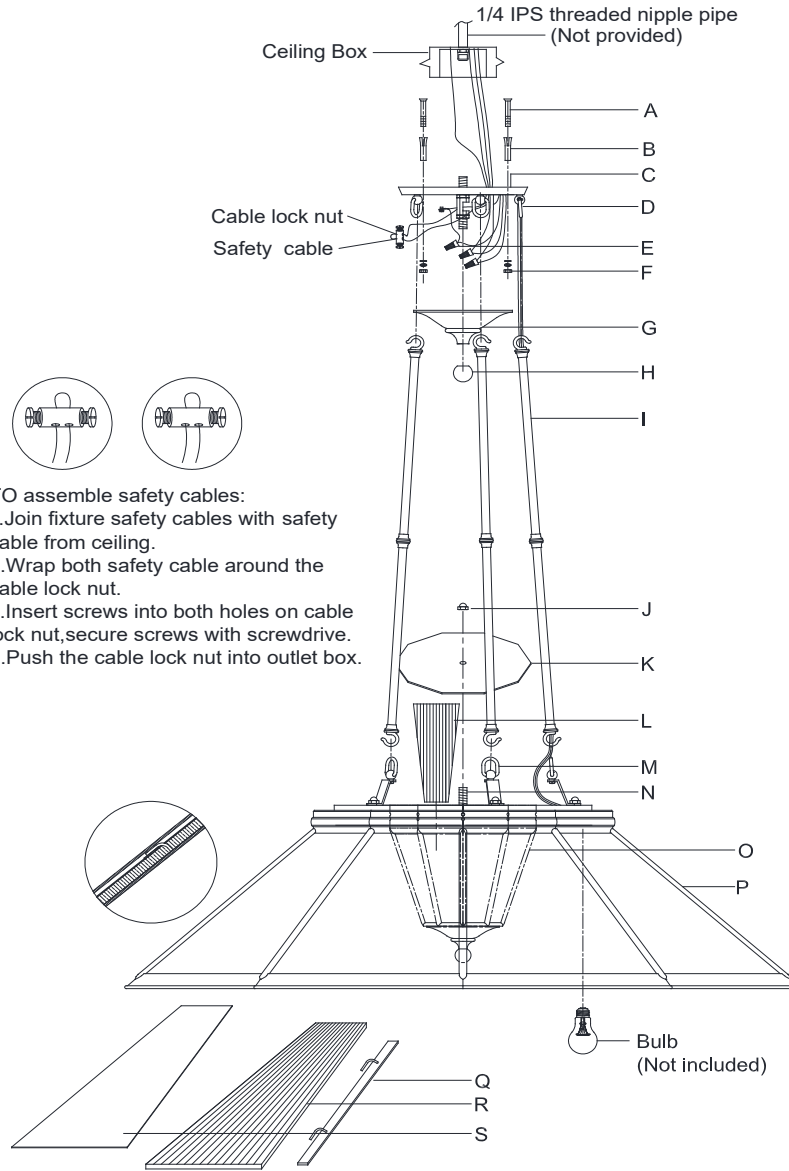


Diagram 2



## Rivington Large Ten-Paneled Chandelier

Item # RL 5065

### NOTICE:

This light fixture should be installed in accordance with all applicable, local installation codes, and by a person familiar with the construction and operation of it, as well as the hazards involved. Inspect item and contents carefully. If any damage or defect is found, do not install. Retain all packaging material until installation is complete and approved.

13. Connect the fixture Hot (smooth edge, markings) wire with the hot wire from the outlet box using wire nut (E).  
DO NOT REVERSE THE HOT AND NEUTRAL CONNECTIONS OR SAFETY WILL BE COMPROMISED.
14. Tuck these wire connections neatly into the outlet box to secure.
15. Put canopy (G) to mounting plate (C), and secure with finial (H).
16. Insert bulbs (not included) into the sockets.
17. Installation is complete, turn on power at fuse or circuit breaker.

Care Instructions: Clean only with a soft dry cloth or feather duster. Do not use abrasive or chemical agents.

# RALPH LAUREN

