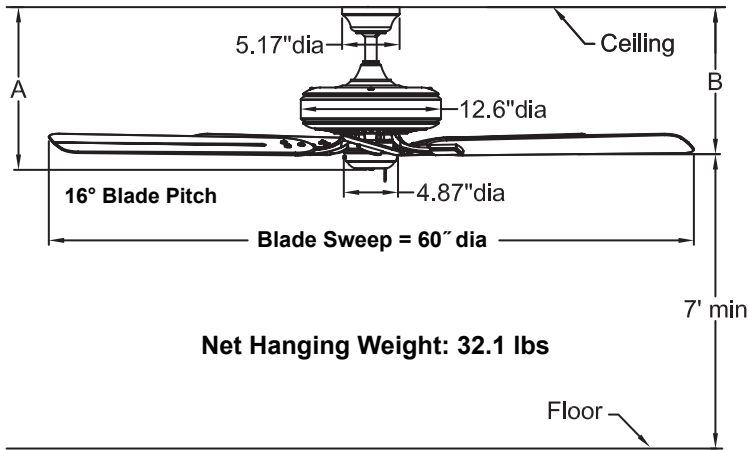


EDGEWOOD® SERIES

TF971-220 Deluxe Wet Location Fan**



	A	B
Fan w/4.5" downrod	14.62"	13.22"
Fan w/12" downrod	22.12"	20.72"
Fan w/18" downrod	28.12"	26.72"
Fan w/24" downrod	34.12"	32.72"
Fan w/36" downrod	46.12"	44.72"
Fan w/48" downrod	58.12"	56.72"
Fan w/60" downrod	70.12"	68.72"
Fan w/72" downrod	82.12"	80.72"

INSTALLATION REQUIREMENTS:

Fan must be attached to a securely anchored electrical junction box capable of withstanding a load of at least 50 lbs.

ELECTRICAL REQUIREMENTS:

Requires a grounded electrical supply line of 220~240 volts AC, 50Hz, 5 amp circuit.

MOTOR SPECS:

212 x 25-220 motor is designed for optimal performance with this fan.

BLADES:

A set of five 26" all-weather composite wood blades is included.

CONTROL OPTIONS:

Optional C1-220, C2-220, C3-220 and C6-220 wall controls and CR4WH-220 remote control (with receiver units) are available—sold separately. Instructions are provided with each control.

LIGHTING OPTIONS:

Optional lighting fitters and light kits are available. See our catalog or visit www.fanimation.com for available lighting options.

DOWNROD OPTIONS:

Fan comes with 1" dia. x 4.5" long downrod. Optional downrods available in 12", 18", 24", 36", 48", 60", and 72" lengths. A downrod coupler is available for installations requiring a downrod longer than 72". Fan can be mounted on a sloped ceiling upto 19°. Most sloped ceiling installations require a downrod longer than the standard 6" downrod. Call technical support for more information.

LOCATION USE:

Fan is rated for dry, damp and wet locations.

Available Finishes		
Fan / Housing Assembly	Blades - Traditional	
AZ	Aged Bronze	Dark Cherry
SN	Satin Nickel	Mahogany
WH	White	White

TUV/GS Efficiency Info (220V)			
Fan Speed	Max RPM	Amps	Watts
High	146	0.34	86
Med	82	0.19	30
Low	44	0.10	10